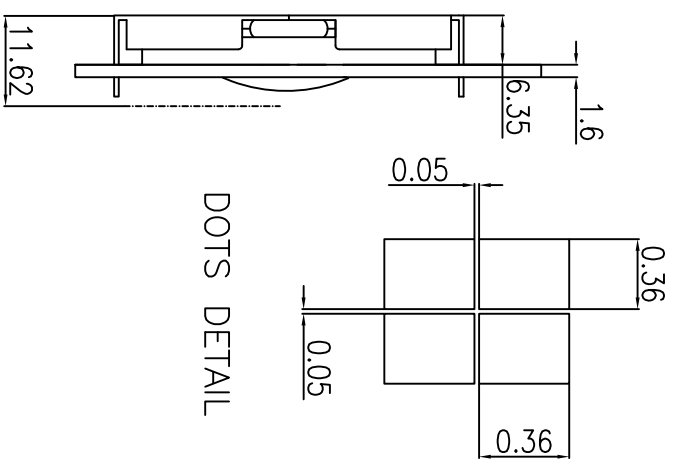
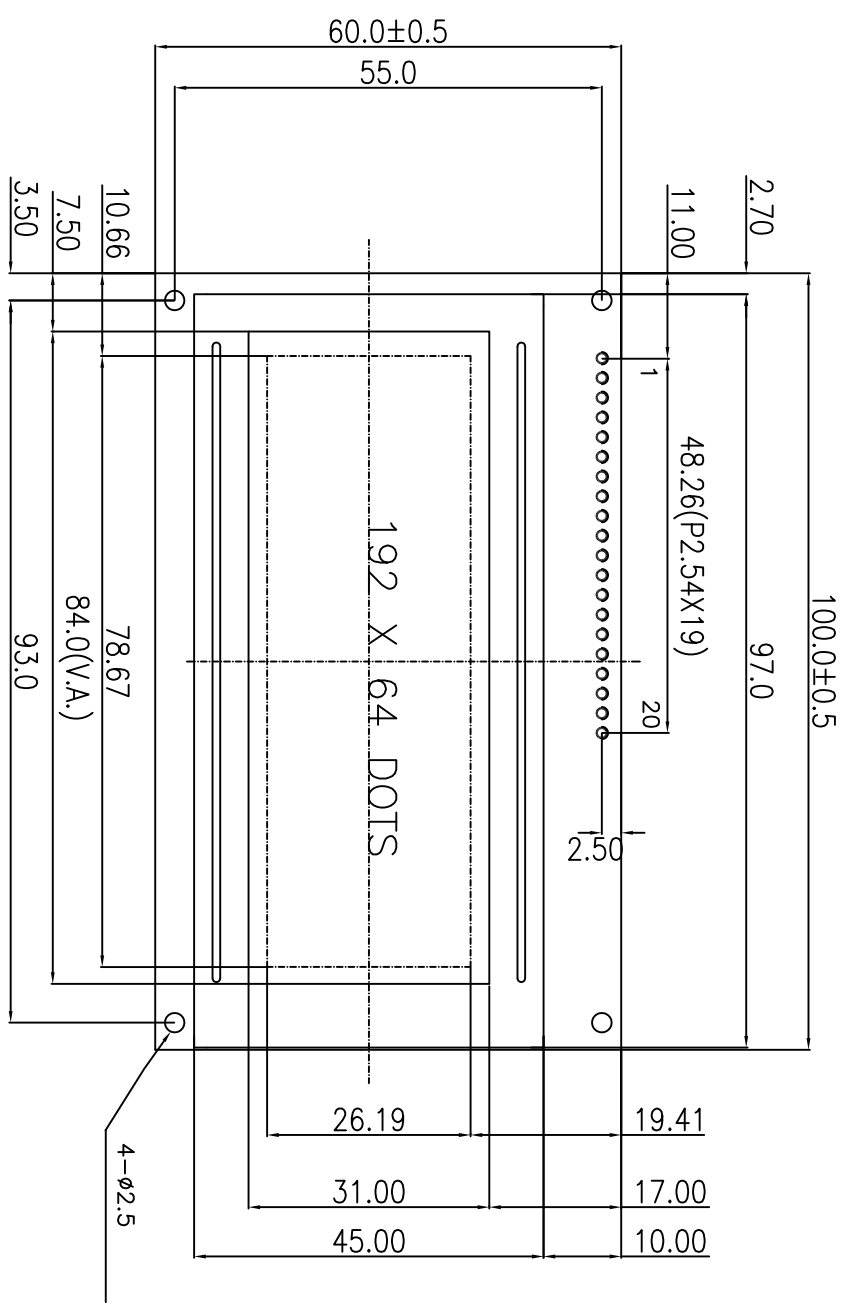


| REV | DATE | DESCRIPTION | DESIGNED | CHECK | APPROVED |
|-----|------|-------------|----------|-------|----------|
| | | | | | |
| | | | | | |
| | | | | | |
| | | | | | |



DOTS DETAIL

| Pin No. | 1 | 2 | 3 | 4 | 5 | 6 | 7 | 8 | 9 | 10 | 11 | 12 | 13 | 14 | 15 | 16 | 17 | 18 | 19 | 20 |
|---------|-----|-----|-----|-----|-----|-----|-----|-----|---|-----|----|----|-----|-----|-----|-----|-----|-----|----|----|
| | DB7 | DB6 | DB5 | DB4 | DB3 | DB2 | DB1 | DB0 | E | R/W | RS | VO | VDD | VSS | CSA | CSB | VEE | RST | A | K |

- NOTE:
- 1.MODE:STN TRANSPARENTIVE POSITIVE YELLOW
 - 2.DISPLAY DOTS: BLACK
 - BACK GROUND: YELLOW
 - 3.DRIVE:1/64 DUTY 1/9 BIAS
 - 4.VOP.:12.5V
 - 5.VIEWING DIR.:6:00
 - 6.OP.TEMP.: -30~80°C
 - 7.ST.TEMP.: -35~85°C
 - 8.BUILT IN DC-DC CONVERTER